

Receiver
From

 Society
 Reference
 Address
 Phone
 Fax
 E-mail

Item n° :

102160162

Model :

JET 300 M

Pump data

 Pressure rating : 8 bar (800 kPa)
 Min. fluid temperature : 0 °C
 Max. fluid temperature : 35 °C
 Max. Temperature operating : 40 °C

Priming capacity :

| H m | 2 | 3 | 4 | 5 | 6 | 7 | 8 |
|--------|-----|------|------|---|------|------|-----|
| Q m³/h | 4.2 | 3.72 | 3.36 | 3 | 2.46 | 1.98 | 1.5 |

Requested data

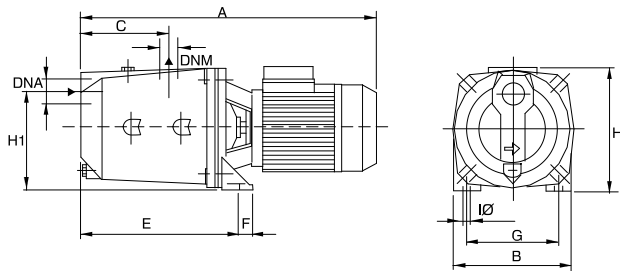
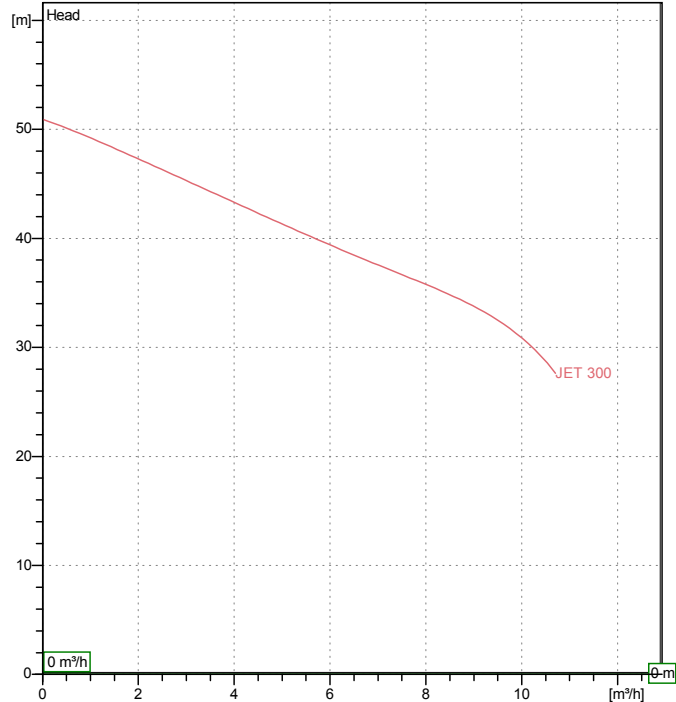
 Flow : 0.00 m³/h
 Head : 0.00 m
 Fluid : Water, pure
 Fluid Temperature : 20 °C
 Density : 998.3 kg/m³
 Kinematic viscosity : 1.005 mm²/s
 Vapor pressure : 100.00 kPa

Hydraulic data (duty point)

 Flow :
 Head :

Materials

| | |
|------------------|---------------------------------|
| Pump body | Cast iron 200 UNI ISO 185 |
| Support | Cast iron 200 UNI ISO 185 |
| Impeller | Technopoly mer A |
| Mechanical seal | Carbon/Ceramic |
| OR ring | NBR Rubber |
| Shaft with rotor | AISI 416 X12 CrS 13 UNI 6900/71 |
| Diffuser | Technopoly mer A |

Curve tolerance according to ISO 9906

Motor data

 Motor brand : DAB
 Nominal power P2: 2.2 kW
 Rated speed : 2850 rpm
 Rated voltage : 1~ 230 V 50 Hz
 Nominal current : 12 A
 Degree of protection : IP 44

Dimensions in
mm

| | | | | | | | |
|-----|---------|-----|---------|----|-----|--|--|
| A | 595 | DNM | 1"1/4 G | H | 235 | | |
| B | 214 | E | 282 | H1 | 175 | | |
| C | 151 | F | 20 | IO | 11 | | |
| DNA | 1"1/2 G | G | 160 | | | | |

Weight : 31.5 kg

Pump connection

 Suction side 1 " 1/2 G/ 8 bar (800 kPa)
 Discharge side 1 " 1/4 G/ 8 bar (800 kPa)



WATER • TECHNOLOGY

PERFORMANCE CURVES

08/12/2014

Page 2 / 3

DAB PUMPS S.p.A.
Via Marco Polo, 14 - 35035 Mestrino (PD), Italy
Tel. +39 049 5125000 - Fax +39 049 5125950
www.dabpumps.com

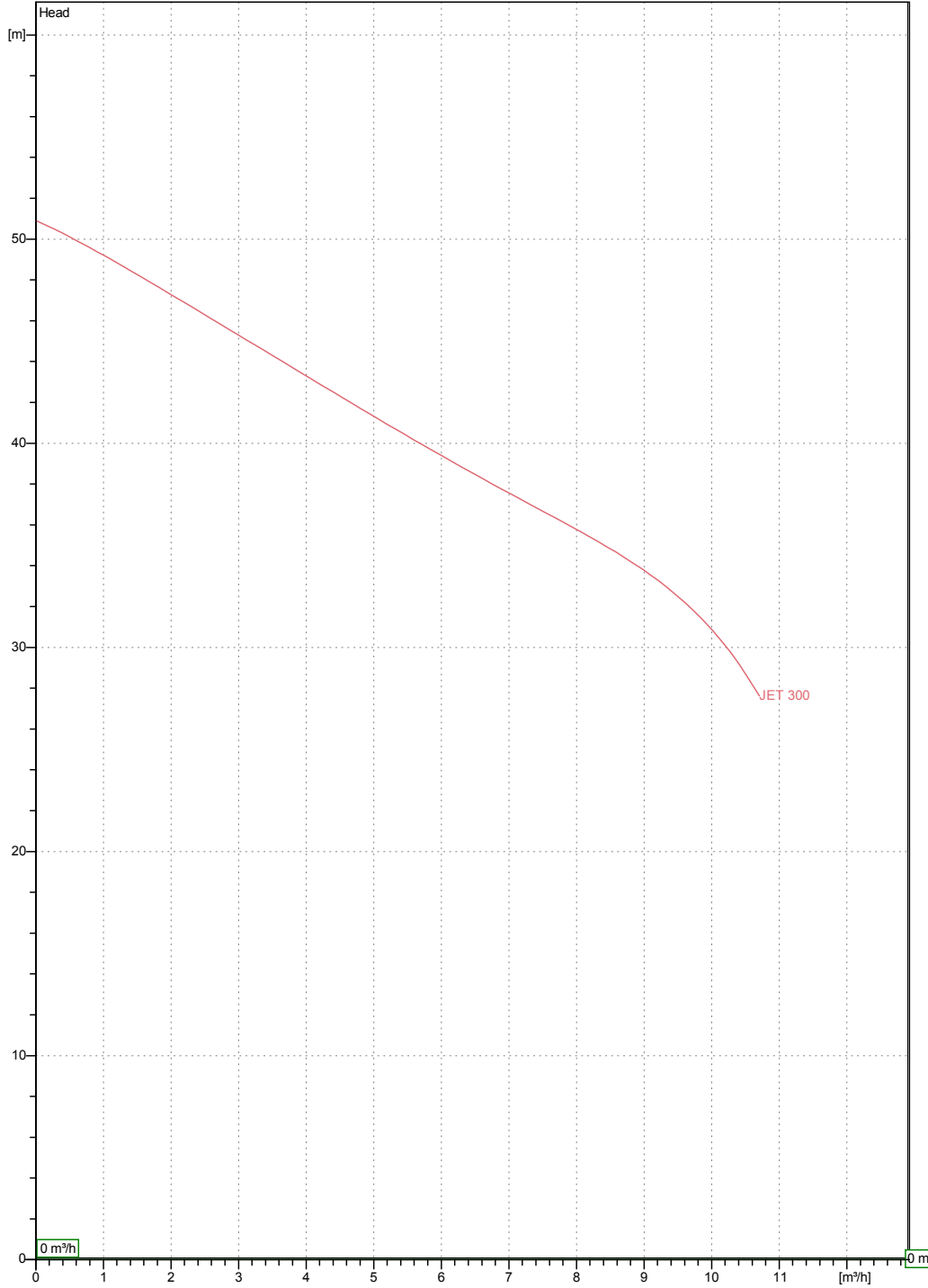
Receiver

From

Society
Reference
Address
Phone
Fax
E-mail

JET 300 M

Curve tolerance according to ISO 9906



Hydraulic data (duty point)

| | | | | |
|--|--|------------------|---------------------------------|---------------------------|
| Suction side 1 " 1/2 G 8 bar (800 kPa) | Discharge side 1 " 1/4 G 8 bar (800 kPa) | Flow : 0 m³/h | Head : 0 m | Rated speed : 2850 rpm |
| Project | Project ID | Created by | Created on 07/12/2014 | |



WATER • TECHNOLOGY

DIMENSIONAL DRAWING

08/12/2014

Page 3 / 3

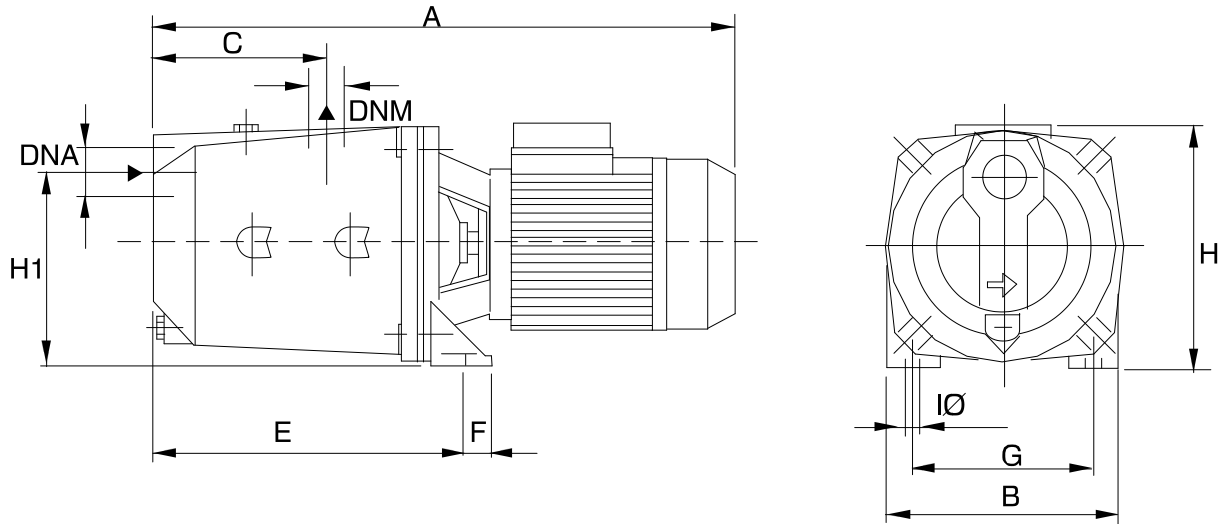
DAB PUMPS S.p.A.
Via Marco Polo, 14 - 35035 Mestrino (PD), Italy
Tel. +39 049 5125000 - Fax +39 049 5125950
www.dabpumps.com

Receiver

From

Society
Reference
Address
Phone
Fax
E-mail

JET 300 M



Dimensions in mm

| | | | | | | |
|----|-----|---------|----|----|--|--|
| 1 | A | 595 | IO | 11 | | |
| 2 | B | 214 | | | | |
| 3 | C | 151 | | | | |
| 4 | DNA | 1"1/2 G | | | | |
| 5 | DNM | 1"1/4 G | | | | |
| 6 | E | 282 | | | | |
| 7 | F | 20 | | | | |
| 8 | G | 160 | | | | |
| 9 | H | 235 | | | | |
| 10 | H1 | 175 | | | | |

Pump connection

Suction
1 " 1/2 G
8 bar (800 kPa)

Discharge
1 " 1/4 G
8 bar (800 kPa)

Project

Project ID

Created by

Created on

07/12/2014